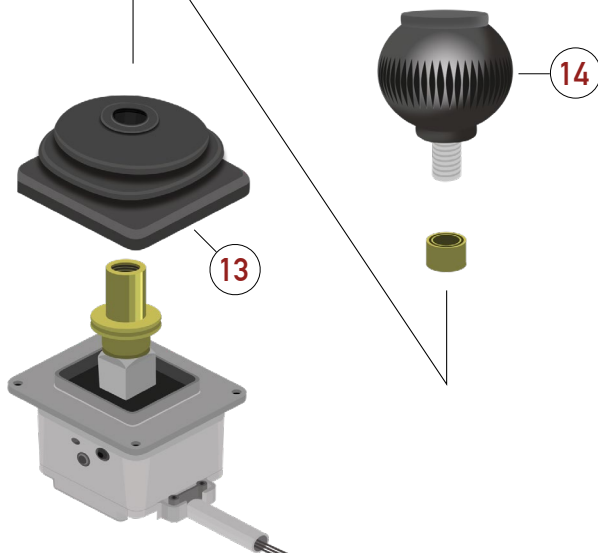
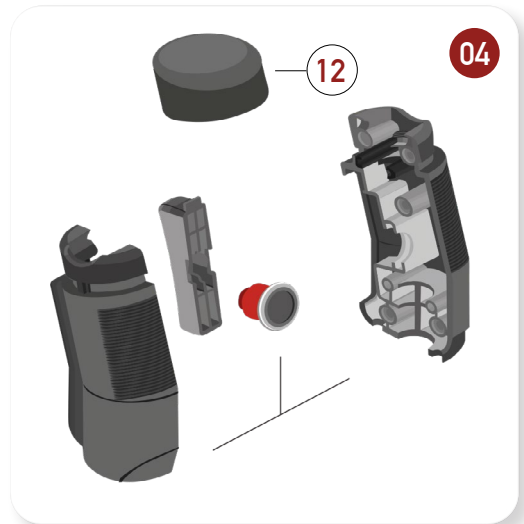
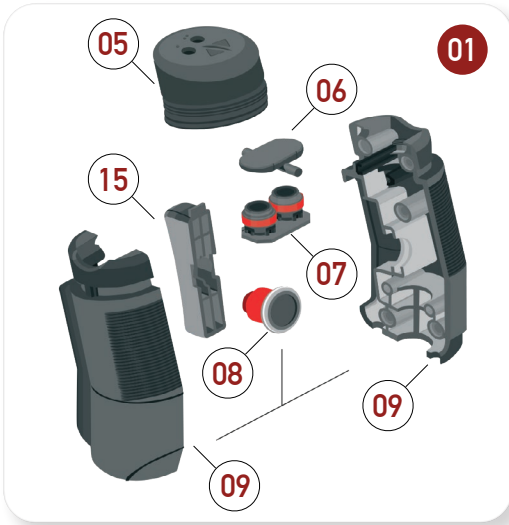


## JOYSTICK / TIPO 01





## JOYSTICK / TIPO 01

| Nº | REF      | AD / CO / EQ | CORRESPONDE A         |
|----|----------|--------------|-----------------------|
| 01 | RB104001 | H2901000880  | RB100001              |
| 02 | RB101001 | H2421608710  | RB100001              |
| 03 | RB101025 | H2901000870  | RB100025              |
| 04 | RB101002 | H2421608700  | RB100002/3            |
| 13 | RB103001 | H2421906360  | RB100001/2/3/25/26/41 |
| 14 | RB101026 | H2901000890  | RB100026/41           |
| 05 | RB102003 | H2901000860  | RB100025              |
| 06 | RB102009 | UNIVERSAL    | RB100025              |
| 07 | RB102004 | UNIVERSAL    | RB100001/25           |
| 08 | RB102005 | UNIVERSAL    | RB100001/2/3          |
| 09 | RB106001 | UNIVERSAL    | RB100001/2/3          |
| 15 | RB102008 | UNIVERSAL    | RB100001/2/3/25       |
| 10 | RB102001 | H2421303290  | RB100001              |
| 11 | RB105001 | UNIVERSAL    | RB100001              |
| 12 | RB102002 | H2421303300  | RB100002/3            |



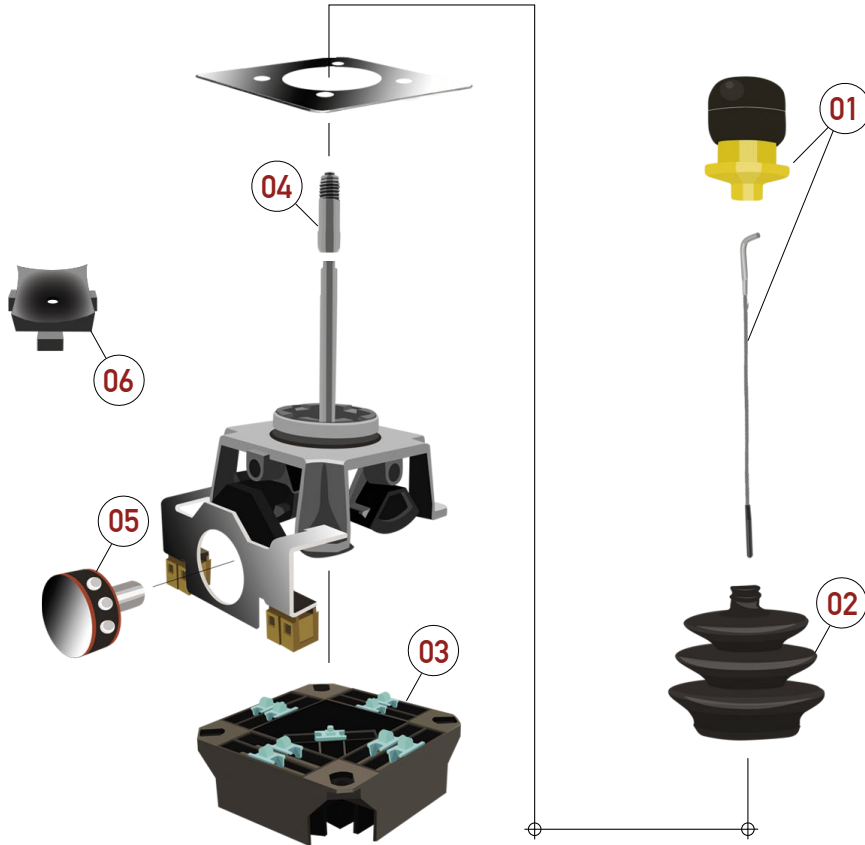
**JOYSTICK / TIPO 02**



| Nº | REF        | AD / CO / EQ | CORRESPONDE A |
|----|------------|--------------|---------------|
| 01 | RB101005   | H2421102120  | RB100005      |
| 02 | RB100005.1 | H2442009730  | RB100005      |
| 03 | RB101005.2 | H2421609390  | RB100005      |
| 04 | RB101005.4 | UNIVERSAL    | RB100005      |
| 05 | RB101005.5 | UNIVERSAL    | RB100005      |
| 06 | RB101005.6 | UNIVERSAL    | RB100005      |

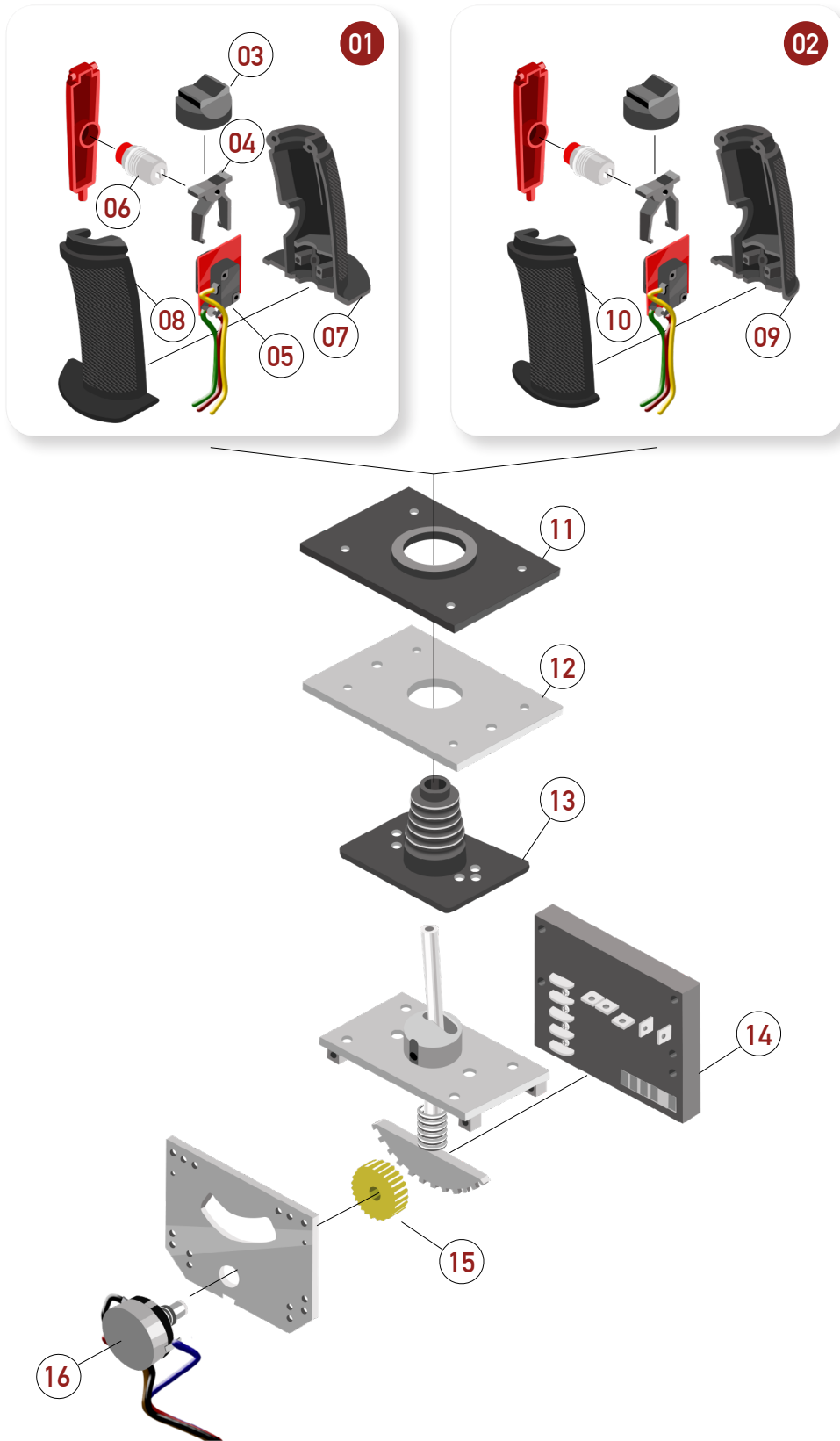


JOYSTICK / TIPO 03



| Nº | REF      | AD / CO / EQ | CORRESPONDE A |
|----|----------|--------------|---------------|
| 01 | RB102027 | H2440304360  | RB100027      |
| 02 | RB103027 | H2421906110  | RB100027      |
| 03 | RB101027 | UNIVERSAL    | RB100027      |
| 04 | RB107027 | UNIVERSAL    | RB100027      |
| 05 | RB007013 | H2441606060  | RB100027      |
| 06 | RB106027 | UNIVERSAL    | RB100027      |

## JOYSTICK / TIPO 04



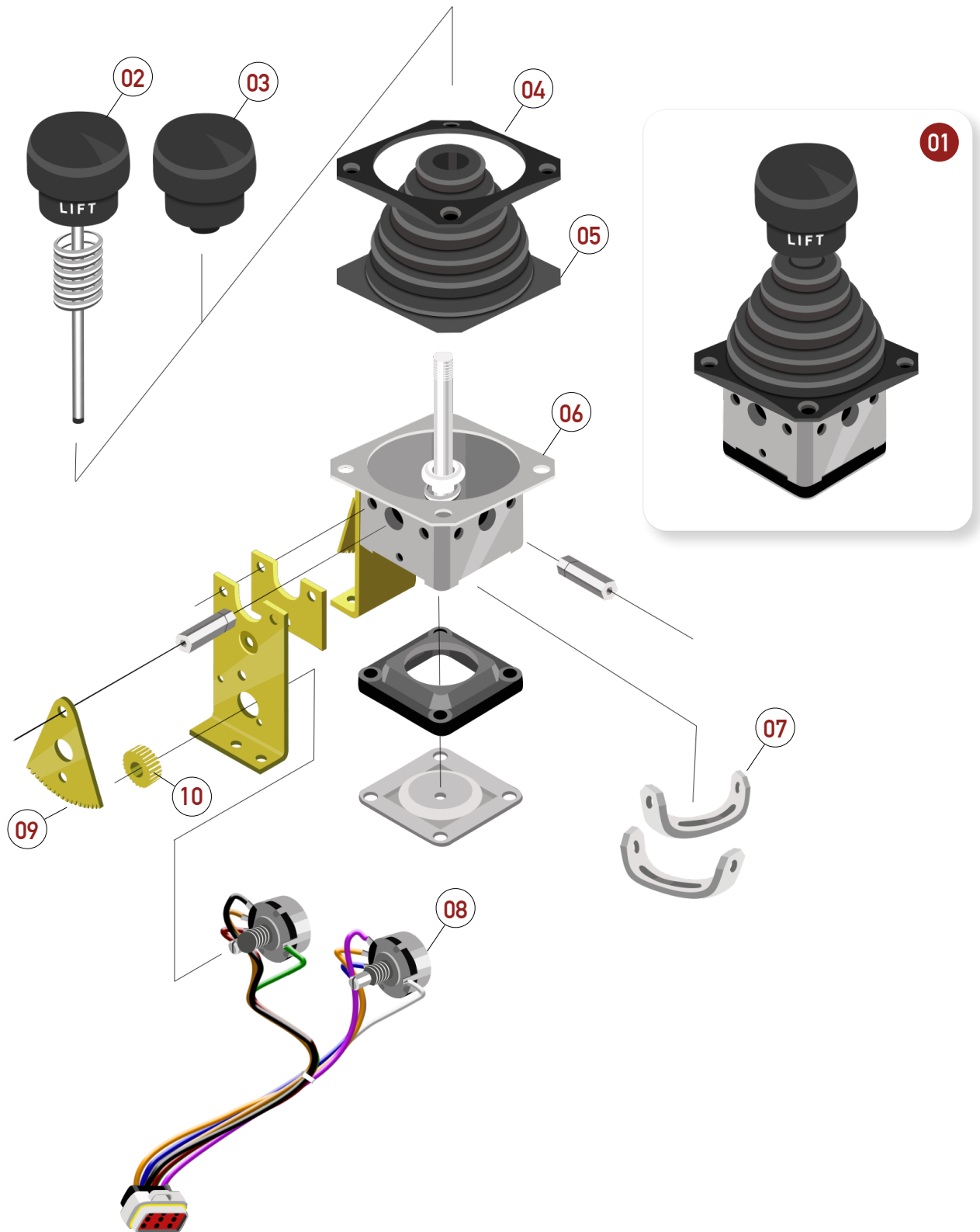


## JOYSTICK / TIPO 04

| Nº | REF  | AD / CO / EQ | CORRESPONDE A         |
|----|--|--------------|-----------------------|
| 01 | RB153100                                   | H2901000880  | RB100001              |
| 02 | RB153016                                   | H2421608710  | RB100001              |
| 03 | RB153005                                   | H2901000870  | RB100025              |
| 04 | RB153008                                   | H2421608700  | RB100002/3            |
| 05 | RB153023                                   | H2421906360  | RB100001/2/3/25/26/41 |
| 06 | RB006022                                   | H2901000890  | RB100026/41           |
| 07 | RB153020                                   | H2901000860  | RB100025              |
| 08 | RB153021                                   | UNIVERSAL    | RB100025              |
| 09 | RB153020,1                                 | UNIVERSAL    | RB100001/25           |
| 10 | RB153021,2                                 | UNIVERSAL    | RB100001/2/3          |
| 11 | GOMA: Ver gomas de soporte                 |              | J7020502              |
| 12 | PLACA: Ver placas metálicas de soporte     |              | J7020504              |
| 13 | RB153009                                   | J7020520     | VARIAS OPCIONES       |
| 14 | PLACA: Ver sección Electrónica             |              | VARIAS OPCIONES       |
| 15 | RB153003                                   | J7011940     | VARIAS OPCIONES       |
| 16 | POTENCIÓMETROS: Ver sección Potenciómetros |              | VARIAS OPCIONES       |



## JOYSTICK / TIPO 05





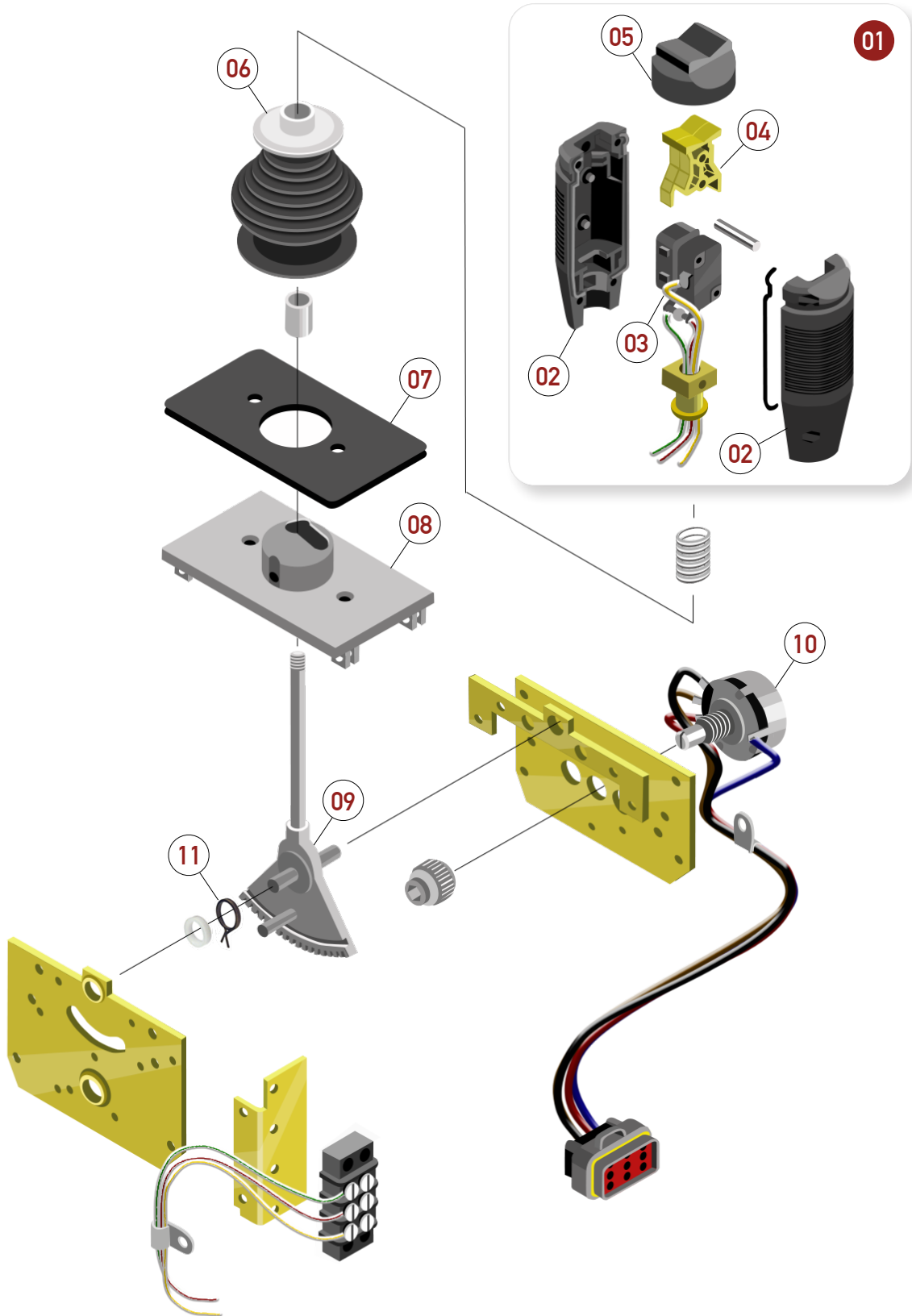
## JOYSTICK / TIPO 05

| Nº    | REF  | AD / CO / EQ   | CORRESPONDE A   |
|-------|--|----------------|-----------------|
| 01    | RB152001                                   | UNIVERSAL      | RB100200        |
| 01,01 | RB152031                                   | UNIVERSAL      | RB100200        |
| 02    | RB152010                                   | J7019197/22808 | RB100200        |
| 03    | RB152030                                   | G27133         | RB100011        |
| 04    | RB152016                                   | J7022813       | RB100200        |
| 05    | RB152015                                   | J7022814       | RB100200        |
| 06    | RB152005                                   | J7019104       | RB100200        |
| 07    | RB152029                                   | J7019122/23    | RB100200        |
| 08    | POTENCIÓMETROS: Ver sección Potenciómetros |                | VARIAS OPCIONES |
| 09    | RB152021                                   | J7003977       | RB100200        |
| 10    | RB152002                                   | J7003976       | RB100200        |





## JOYSTICK / TIPO 06



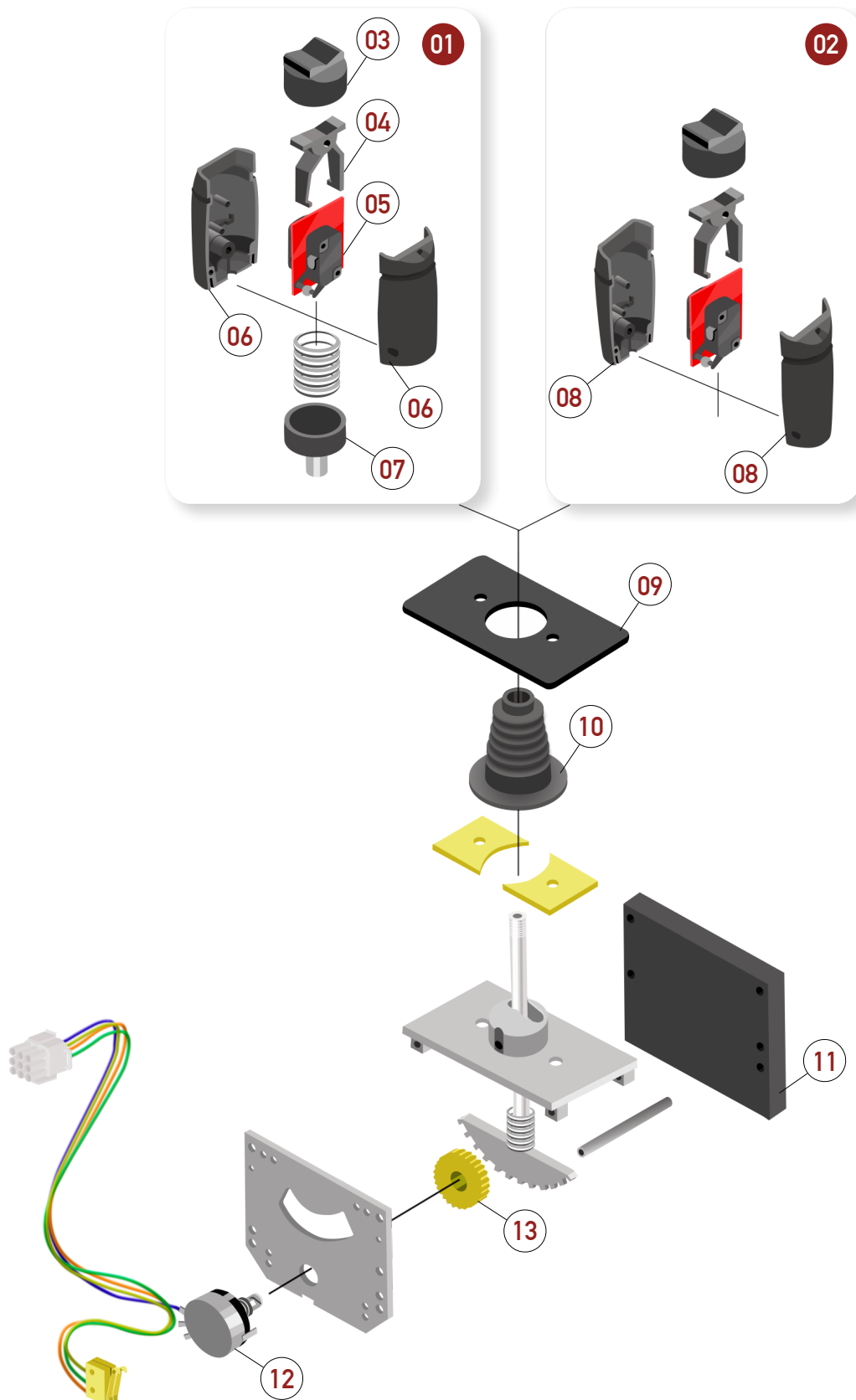


## JOYSTICK / TIPO 06

| Nº    | REF  | AD / CO / EQ | CORRESPONDE A   |
|-------|--|--------------|-----------------|
| 01    | RB151100                                   | J7022810     | RB100201        |
| 02    | RB151006                                   | J7003973     | RB100201        |
| 03    | RB006040                                   | J7003982     | RB100201        |
| 04    | RB151004                                   | J7003981     | RB100201        |
| 05    | RB151003                                   | J7003972     | RB100201        |
| 06    | RB151010                                   | J7019161     | RB100201        |
| 06,01 | RB151025                                   | UNIVERSAL    | RB100201        |
| 07    | RB151024                                   | J7003933     | RB100201        |
| 08    | RB151012                                   | J7003950     | RB100201        |
| 09    | RB151002                                   | J7019155     | RB100201        |
| 10    | POTENCIÓMETROS: Ver sección Potenciómetros |              | VARIAS OPCIONES |
| 11    | RB151019                                   | J7019155     | RB100201        |
| 12    | PLACA: Ver sección Electrónica             |              | VARIAS OPCIONES |



## JOYSTICK / TIPO 07



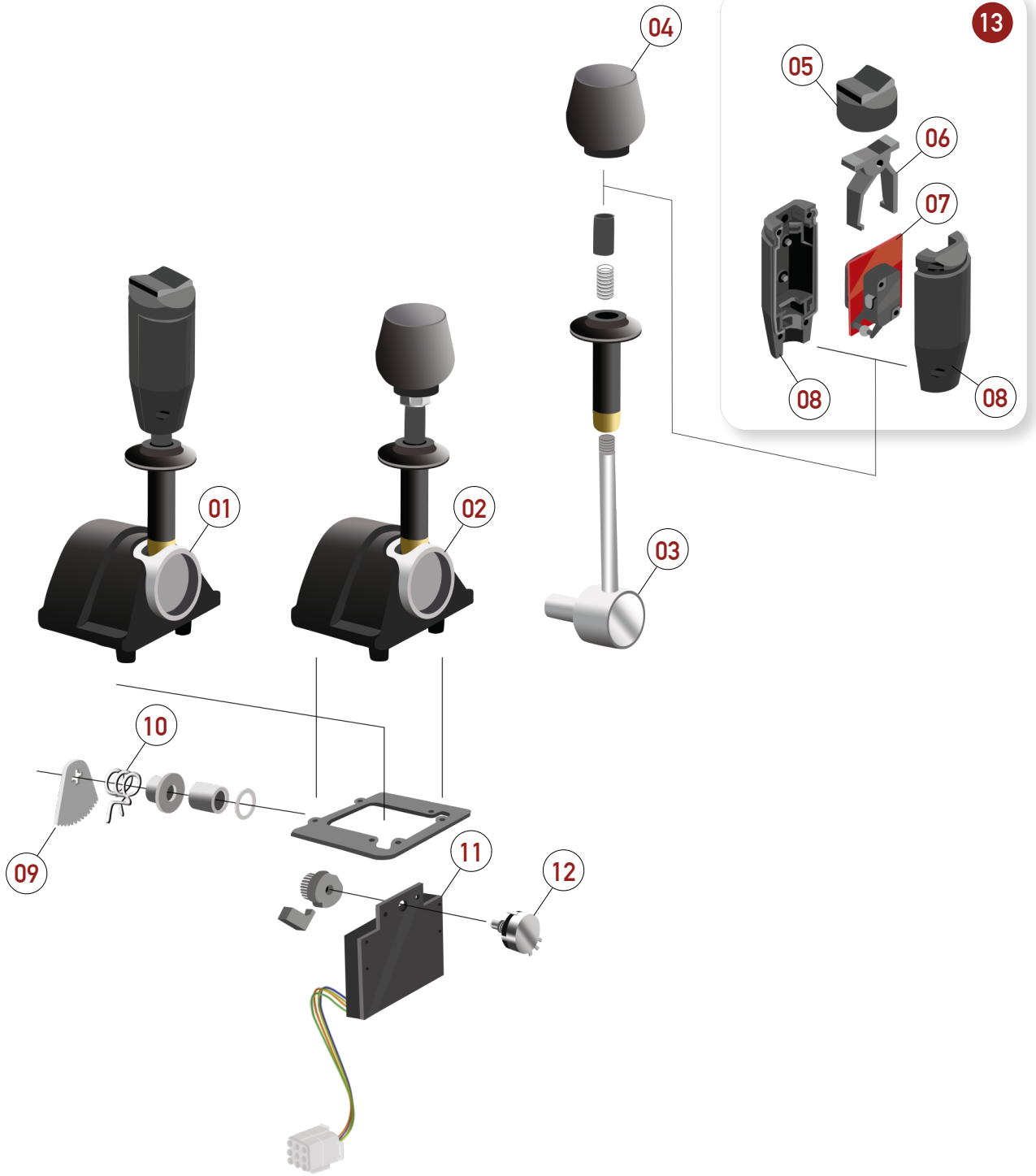


## JOYSTICK / TIPO 07

| Nº    | REF  | AD / CO / EQ | CORRESPONDE A   |
|-------|--|--------------|-----------------|
| 01    | RB153029                                   | J7022810     | RB100201        |
| 02    | RB153028                                   | J7003973     | RB100201        |
| 03    | RB153005                                   | J7003982     | RB100201        |
| 04    | RB153008                                   | J7003981     | RB100201        |
| 05    | RB153030                                   | J7003972     | RB100201        |
| 06-07 | RB153014                                   | J7019161     | RB100201        |
| 08    | RB153013                                   | UNIVERSAL    | RB100201        |
| 09-10 | RB153009                                   | J7003933     | RB100201        |
| 13    | RB153003                                   | J7003950     | RB100201        |
| 11    | PLACA: Ver sección Electrónica             |              | VARIAS OPCIONES |
| 12    | POTENCIÓMETROS: Ver sección Potenciómetros |              | VARIAS OPCIONES |



JOYSTICK / TIPO 08



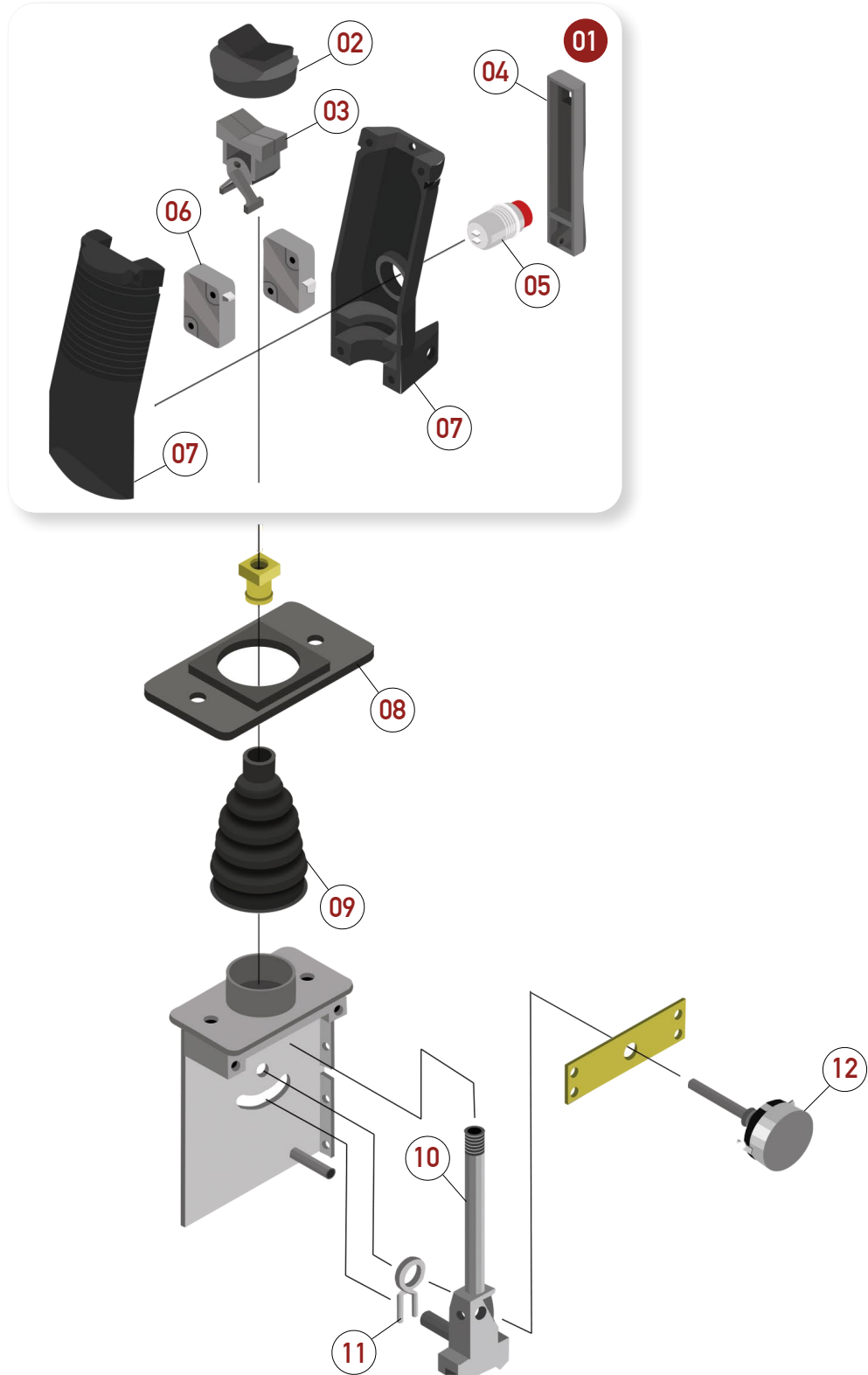


## JOYSTICK / TIPO 08

| Nº | REF  | AD / CO / EQ | CORRESPONDE A   |
|----|--|--------------|-----------------|
| 01 | RB154004                                   | UNIVERSAL    | RB100222        |
| 02 | RB154002                                   | UNIVERSAL    | RB100223        |
| 03 | RB154011                                   | J7003700     | RB100222        |
| 04 | RB154003                                   | J2560040     | RB100222        |
| 05 | RB153005                                   | J7003790     | RB100222        |
| 06 | RB153008                                   | J7003791     | RB100222        |
| 07 | RB153030                                   | J7003789     | RB100222        |
| 08 | RB154013                                   | J7003792     | RB100222        |
| 09 | RB154001                                   | J7003740     | RB100222        |
| 10 | RB154009                                   | J7003719     | RB100222        |
| 11 | POTENCIÓMETROS: Ver sección Potenciómetros |              | VARIAS OPCIONES |
| 12 | PLACA: Ver sección Electrónica             |              | VARIAS OPCIONES |



## JOYSTICK / TIPO 09





## JOYSTICK / TIPO 09

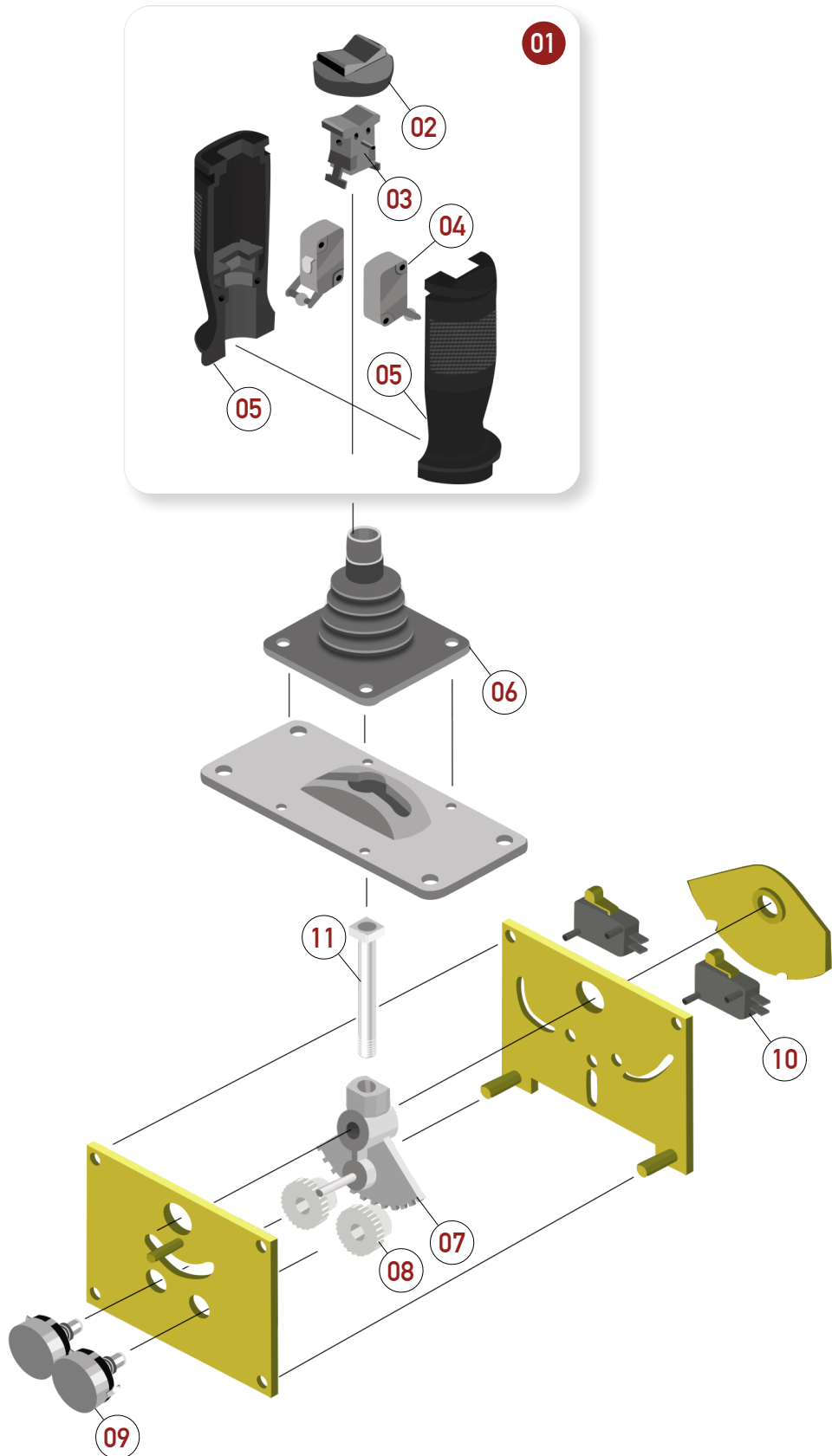
| Nº | REF  | AD / CO / EQ | CORRESPONDE A   |
|----|--|--------------|-----------------|
| 01 | RB155100                                   | UNIVERSAL    | RB100008        |
| 02 | RB155008                                   | G43038       | RB100008        |
| 03 | RB155009                                   | G52044       | RB100008        |
| 04 | RB155012                                   | G52042       | RB100008        |
| 05 | RB155013                                   | G52041       | RB100008        |
| 06 | RB155021                                   | G19722       | RB100008        |
| 07 | RB155011                                   | G52041/040   | RB100008        |
| 08 | RB155019                                   | G27134       | RB100008        |
| 09 | RB155015                                   | G27134       | RB100008        |
| 10 | RB155002                                   | G46227       | RB100008        |
| 11 | RB155016                                   | G21434       | RB100008        |
| 12 | POTENCIÓMETROS: Ver sección Potenciómetros |              | VARIAS OPCIONES |
|    | RB007016                                   | UNIVERSAL    | RB100105        |
|    | RB007019                                   | UNIVERSAL    | RB100105        |

PLACA: Ver sección Electrónica





## JOYSTICK / TIPO 10





## JOYSTICK / TIPO 10

| Nº | REF      | AD / CO / EQ | CORRESPONDE A |
|----|----------|--------------|---------------|
| 01 | RB156100 | UNIVERSAL    | RB100009      |
| 02 | RB156005 | G25881       | RB100109      |
| 03 | RB156006 | G23688       | RB100109      |
| 04 | RB156007 | G23680       | RB100109      |
| 05 | RB156004 | G25883       | RB100109      |
| 06 | RB156003 | G22368       | RB100109      |
| 07 | RB156002 | G44212       | RB100109      |
| 08 | RB156010 | G22367       | RB100109      |
| 09 | RB007020 | G22364       | RB100109      |
| 10 | RB006024 | G22365       | RB100109      |
| 11 | RB156008 | G44211       | RB100109      |

